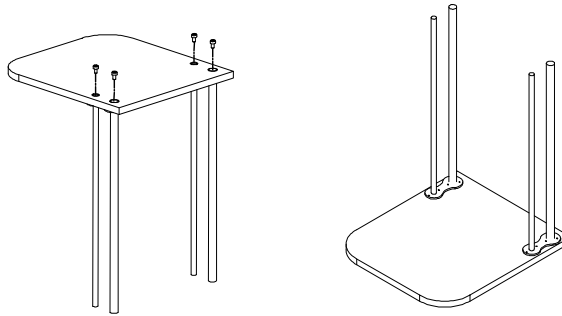


Installation Instructions



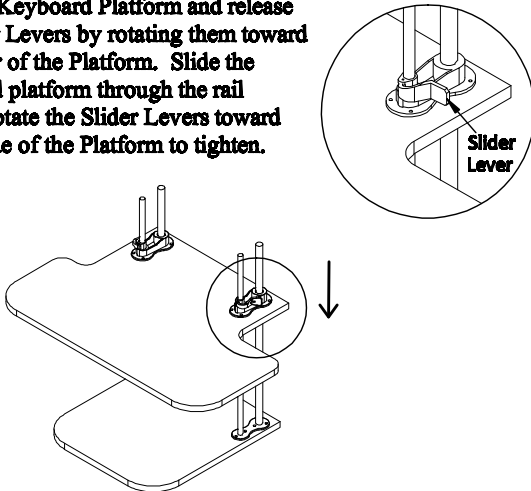
Step 1

Take out the four rail poles and insert them into the holes on the base platform (the smaller wood platform). Insert the thicker two poles in the back, and the thinner two poles in the front. Screw down the 4 poles with the 4 screws and the Allen Wrench included, until snug.



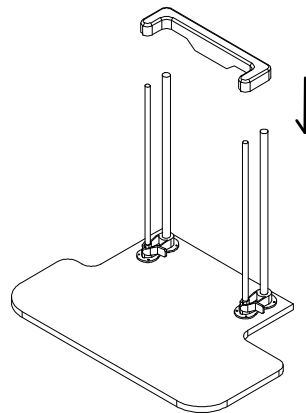
Step 2

Take the Keyboard Platform and release the Slider Levers by rotating them toward the center of the Platform. Slide the Keyboard platform through the rail poles. Rotate the Slider Levers toward the outside of the Platform to tighten.



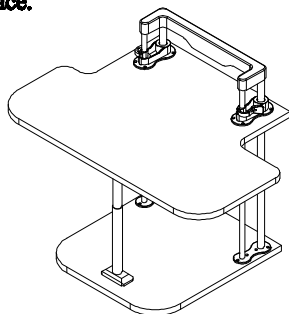
Step 3

Cover the top of the rail poles with the plastic cover. Press down firmly.



Step 4

Adjust to the desired height. For added support, use the included adjustable rod as support between the two platforms. To adjust the rod, loosen the top plastic piece by rotating counter-clockwise. Once you have loosened the plastic piece enough to grip the top portion of the metal rod, twist the top portion of the rod counter-clockwise to loosen. Once you can move the metal rod up and down, tighten the plastic piece on top back down. Now the adjustable rod will move freely to the desired height. Place it between the two wooden platforms, and tighten it by rotating the top metal rod clockwise, while holding the bottom metal rod in place.



Step 5

Move the Keyboard Platform up or down by rotating the slider levers toward the center of the platform to loosen, adjust the height, and rotate them back out to tighten. Adjust the support rod for the new height. The support rod can be placed on the base platform, or the base desk or table you are using.

