

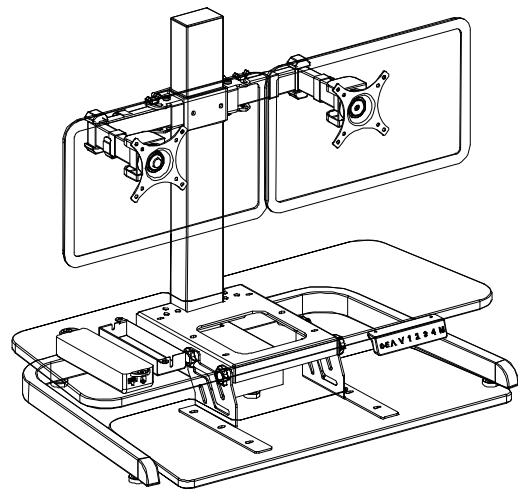
## Additional Information

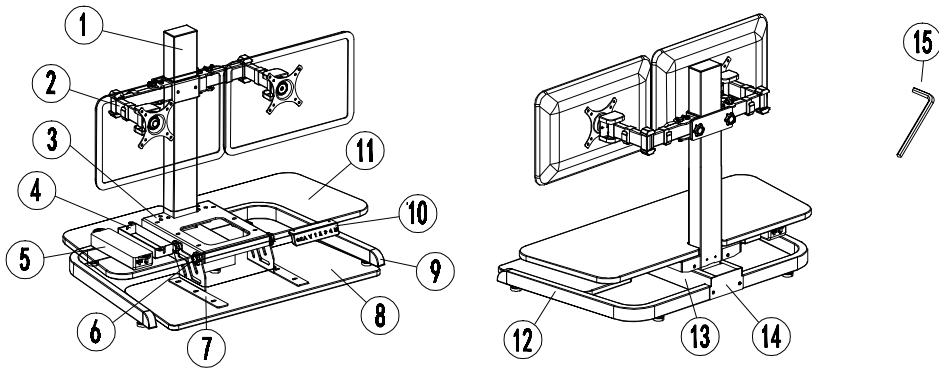
- Output voltage: 100-240ac
- Working temperature: 5-40 degrees C
- Lifting speed: 25mm/s
- Weight capacity: 15KG
- Table height: 14.5-57.5cm
- Keyboard height: 3-46cm
- Adjustable range of display: 35cm
- Table size: 87.4x35x1.8cm
- Keyboard tray size: 71.5x31x1.8cm
- Package weight: 29kg



# Assembly Instructions

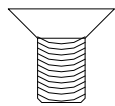
Model: ADEXT-02B  
ErgoConvert Dual Monitor Desk Converter



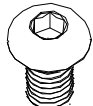


- |                                   |                                  |                              |
|-----------------------------------|----------------------------------|------------------------------|
| <b>1. Main column lift</b>        | <b>6. Knobs</b>                  | <b>11. Main working area</b> |
| <b>2. Adjustable monitor arms</b> | <b>7. Keyboard tray supports</b> | <b>12. Side bars</b>         |
| <b>3. Main rising plate</b>       | <b>8. Keyboard tray</b>          | <b>13. Front cover</b>       |
| <b>4. Cable box</b>               | <b>9. Side bar covers</b>        | <b>14. Back cover</b>        |
| <b>5. Control box</b>             | <b>10. Handset controller</b>    | <b>15. Hex Key</b>           |

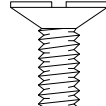
## Included Hardware



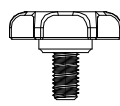
**M6\*12 screw  
(10)**



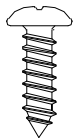
**M6\*8 screw  
(6)**



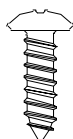
**M5\*8 screw  
(2)**



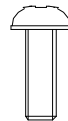
**Knob M8\*15  
(4)**



**ST4. 8\*16 screw  
(16)**



**ST3. 5\*19 screw  
(2)**

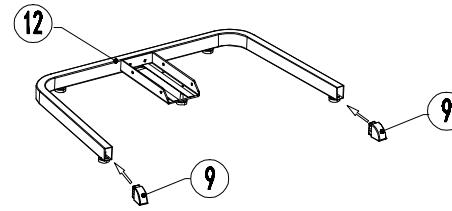


**M4\*12 screw  
(8)**

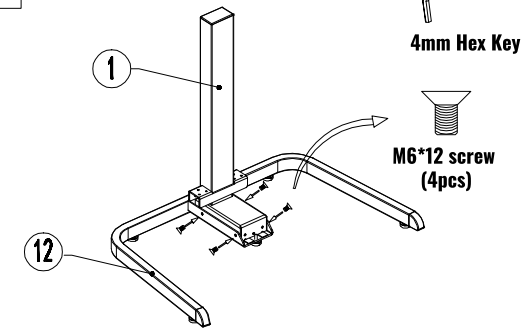


**4mm Hex Key  
(1)**

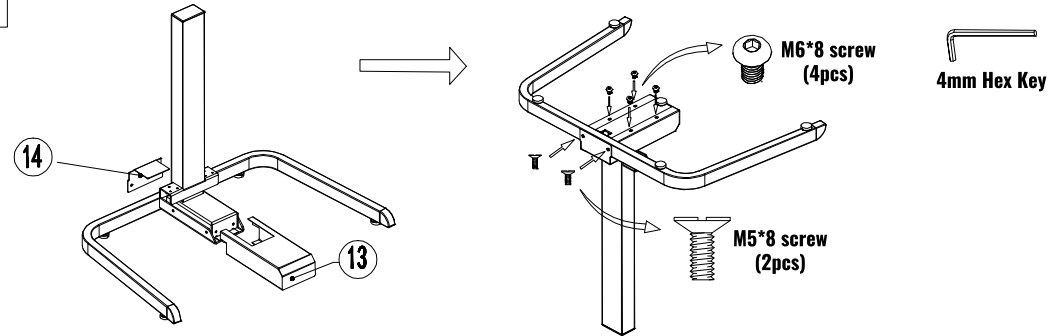
1



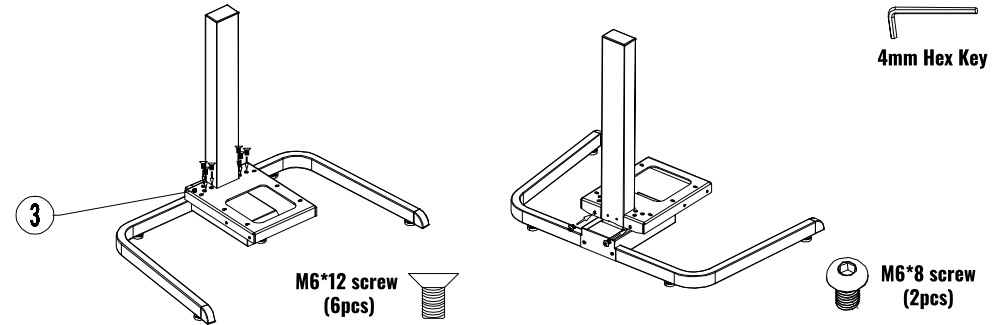
2



3



4



5

