

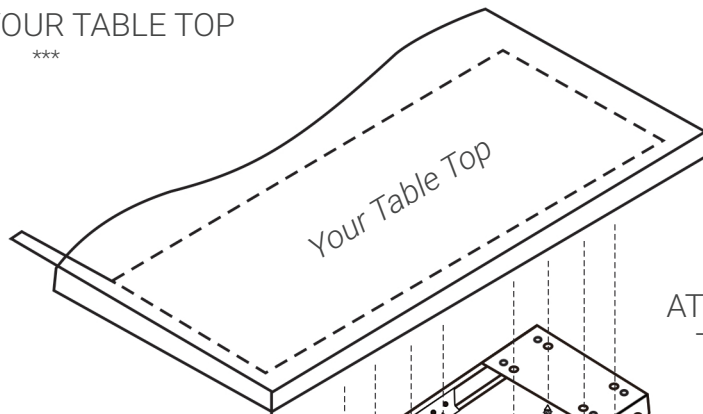


ERGONOMIC KEYBOARD TRAY

ASSEMBLY GUIDE

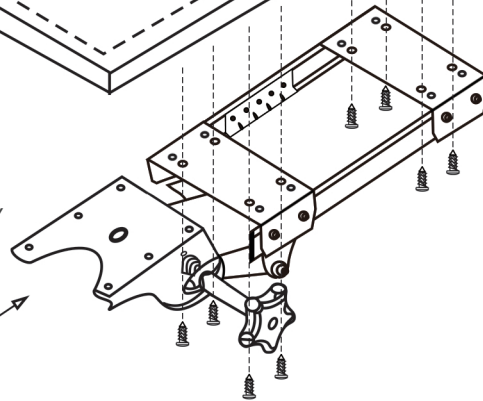
STEP 1

MEASURE & PRE-DRILL
HOLES ON THE BOTTOM
SIDE OF YOUR TABLE TOP



STEP 2

ATTACH BRACKET
TO TABLE TOP



STEP 3

CONNECT TRAY
TO BRACKET

